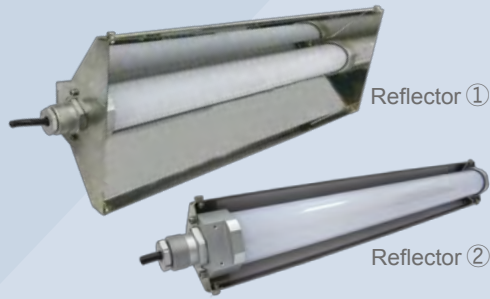


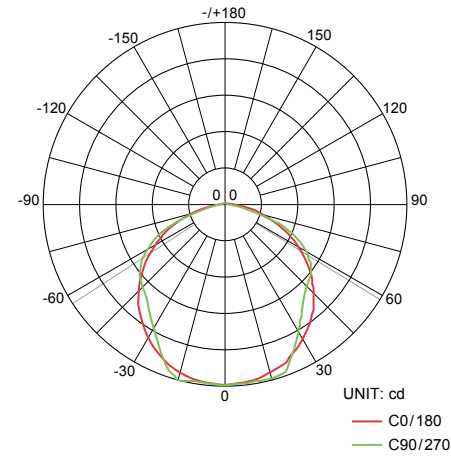
L1601

Explosion-proof light tube

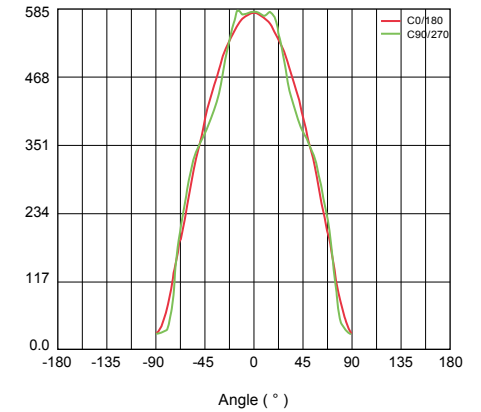


Field installation

Polar Luminous Intensity Distribution



Luminous Intensity Distribution Diagram



Certifications:



Standard Product Length

- S : 408mm
- M : 704mm
- L : 1293mm

Dimension in Millimeters

Applicable Location

- Zone 2
- Zone 21
- Zone 22

Environmental Ratings

- NEMA 6/6P
- IP 67/68

Applicable Area

- Oil Refinery Complex
- Petrochemical Complex
- Painting Facility
- Transporting Natural Gas
- Transporting Liquefied Petroleum Gas
- Offshore Platform (Oil and Natural Gas)

Electrical Ratings

Voltage	110V / 220V / 277V AC
Frequency	50Hz / 60Hz
Amps	0.036A ~ 0.364A
Wattage	S : 10W / M : 20W / L : 40W
Operating Temperature	-20°C ~ +55°C
Power Factor	> 0.9

Raw Materials

Housing	Aluminum Alloy
Screws	Stainless Steel
Lighting Tube	PC

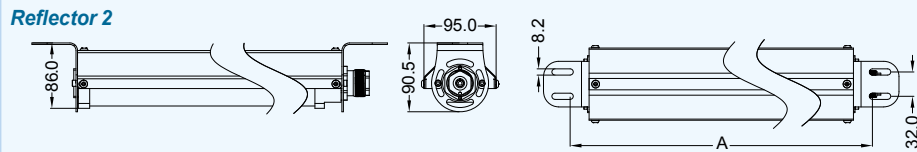
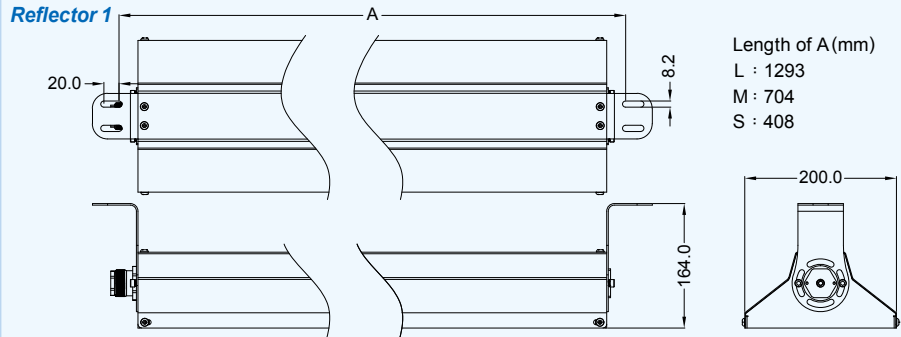
Optical Information

CCT	3000K ± 10% (Warm White) 5000K ± 10% (Cool White)
CRI	> 80 (Warm White) > 70 (Cool White)
IES Files	Available upon request

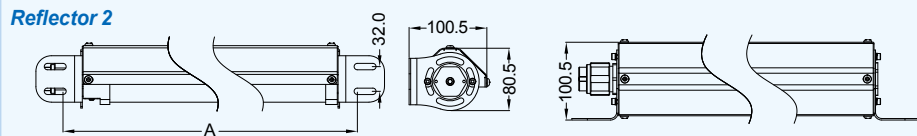
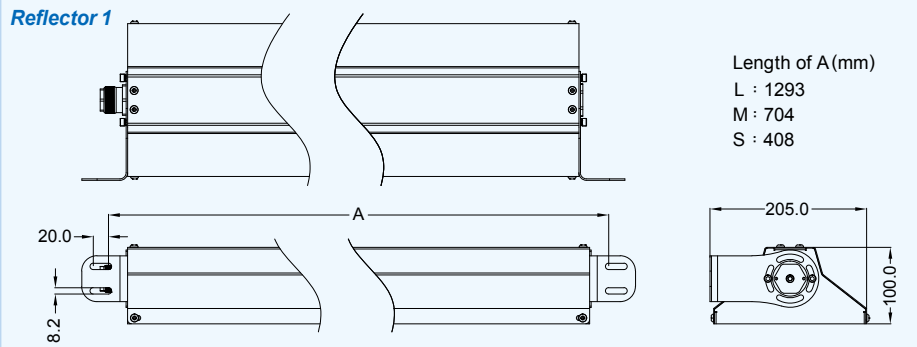
● Standard Product

Dimensions and Mounting (Mounting Code)

Hanging Mount 90°(H90R)



Wall Mount 90° (W90R)

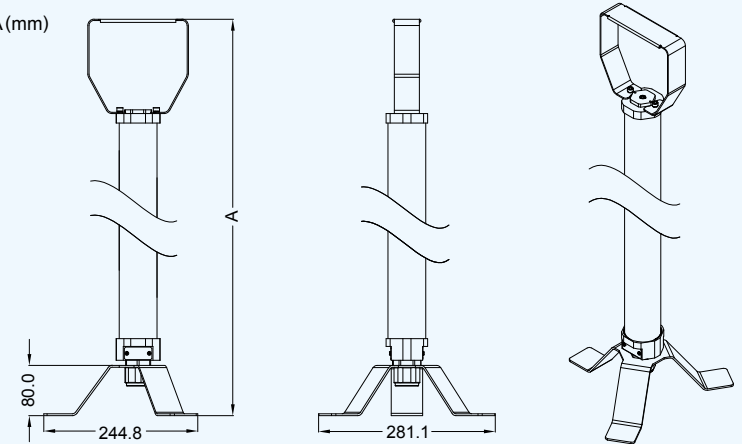


● Standard Product

Dimensions and Mounting (Mounting Code)

Tripod (TA)

Length of A(mm)
L : 479
M : 891
S : 601




► Please refer to Page 98 for part number



Ordering information: Part number + mounting code

Part Number

• W.W.: 3000K±10% • C.W.: 5000K±10%

Model No.	Certifications	Watt.	Volt.	Color	Part Number
L1601	 <p>Ex nR IIC T6 Gc Ex tb IIIC T85°C Db</p>	10W	110V	W.W.	THTH1601DNHW1A0
			220V	W.W.	THTH1601DNHW2A0
			277V	W.W.	THTH1601DNHW9A0
			110V	C.W.	THTH1601DNHC1A0
			220V	C.W.	THTH1601DNHC2A0
			277V	C.W.	THTH1601DNHC9A0
		20W	110V	W.W.	THTH1601ENHW1B0
			220V	W.W.	THTH1601ENHW2B0
			277V	W.W.	THTH1601ENHW9B0
			110V	C.W.	THTH1601ENHC1B0
			220V	C.W.	THTH1601ENHC2B0
			277V	C.W.	THTH1601ENHC9B0
		40W	110V	W.W.	THTH1601FNHW1D0
			220V	W.W.	THTH1601FNHW2D0
			277V	W.W.	THTH1601FNHW9D0
			110V	C.W.	THTH1601FNHC1D0
			220V	C.W.	THTH1601FNHC2D0
			277V	C.W.	THTH1601FNHC9D0