

L1217



THT-EX

In accordance with special application requirement, THT-EX is able to offer higher specifications on Explosion-proof LED lighting devices, includes

- Lighting can be started at low temperature -65°C
- Lighting can be used at temperature 100°C
- IP rating IP68
- Salt water spray test 72 hours ~ 1000 hours

Certifications:

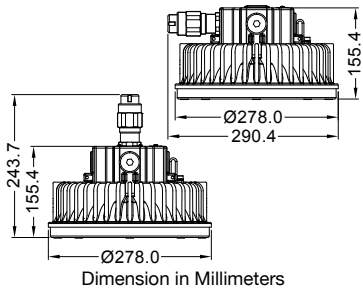


Applicable Location

- Zone 1
- Zone 2
- Zone 21
- Zone 22
- Class I, Division 2
Group A, B, C, D
- Class II, Division 2
Group F, G
- Zone 1, AEx d IIB + H₂
- Zone 21, AEx tb IIIC

Environmental Ratings

- NEMA 6/6P
- IP 67/68



Dimension in Millimeters

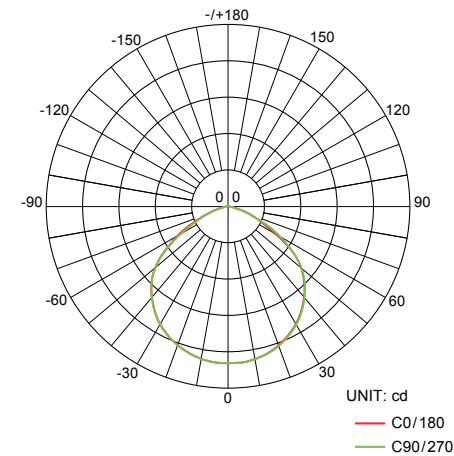
Electrical Ratings

Voltage	24V / 110V / 120V / 220V / 277V / 480V AC
Frequency	50Hz / 60Hz
Wattage (Amps)	110W (0.5A~4.58A) / 120W (0.25A~5A) / 140W (0.29A~1.17A)
Operating Temperature	-20°C ~ +40°C
Power Factor	> 0.95

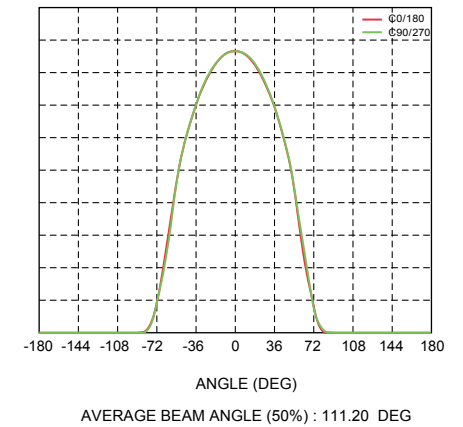
Raw Materials

Housing	Aluminum Alloy
Screws	Stainless Steel
Tempered Glass	IEC Standards impact-resistant > 4 Joule

Polar Luminous Intensity Distribution



Luminous Intensity Distribution Diagram



Optical Information

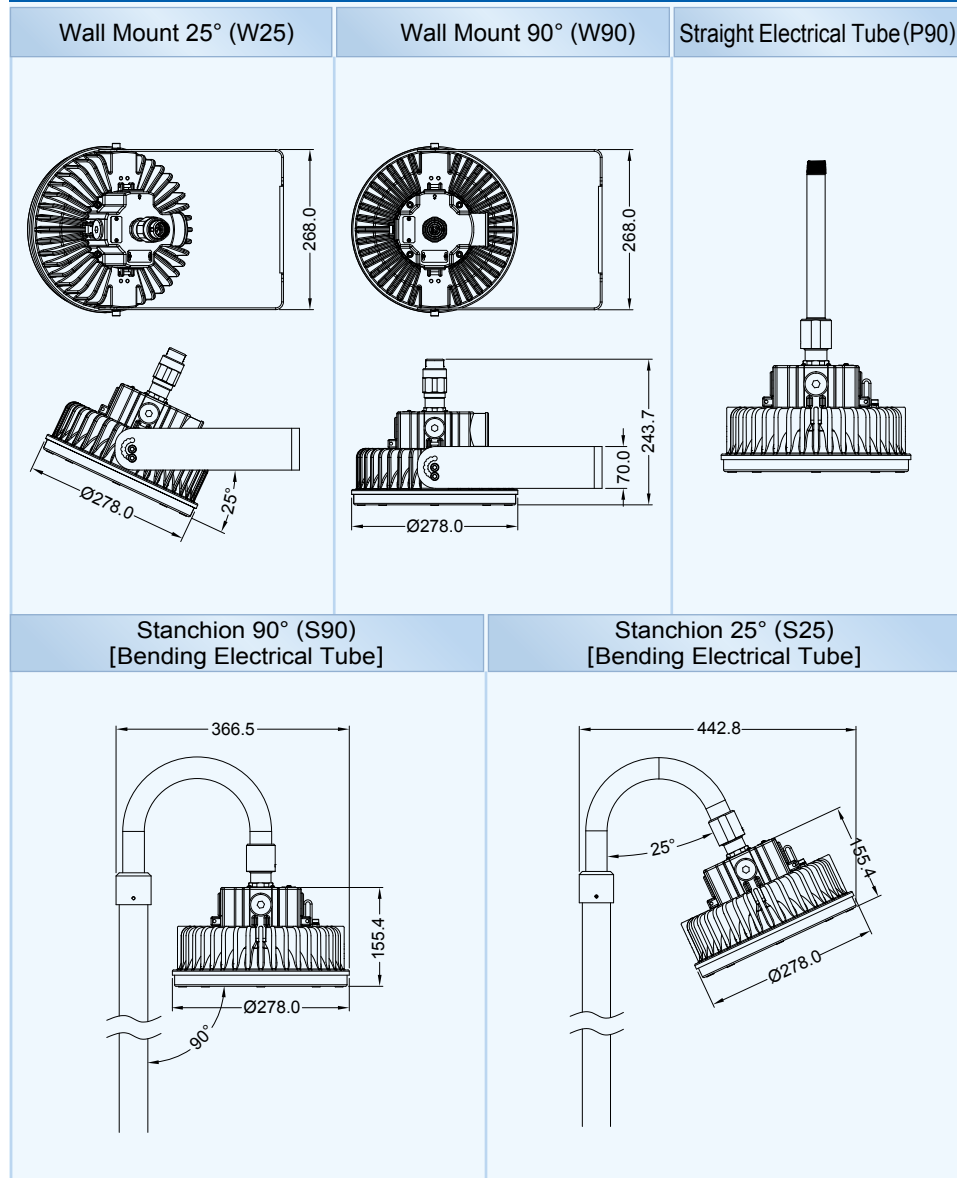
CCT	3000K ± 10% (Warm White) 5000K ± 10% (Cool White)
CRI	> 80 (Warm White) > 70 (Cool White)
Lum / Watt.	≧ 90 (Warm White) ≧ 100 (Cool White)
Beam Angle	≧ 110° (Warm White) ≧ 110° (Cool White)
IES Files	Available upon request

Applicable Area

- Oil Refinery Complex
- Petrochemical Complex
- Painting Facility
- Transporting Natural Gas
- Transporting Liquefied Petroleum Gas
- Offshore Platform (Oil and Natural Gas)

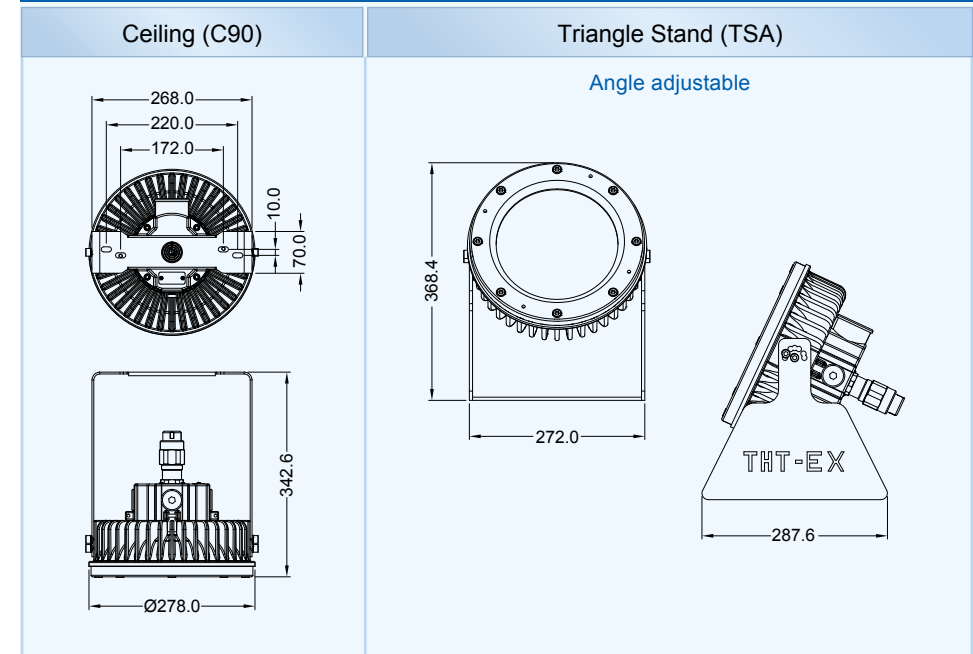
● Standard Product

Dimensions and Mounting (Mounting Code)



● Standard Product

Dimensions and Mounting (Mounting Code)










► Please refer to Page 90 for part number



Part Number

• W.W.: 3000K±10% • C.W.: 5000K±10%

Model No.	Certifications	Watt.	Volt.	Color	Part Number	
L1217	 • NFPA 70 (UL844) Class I, Division 2 Group A, B, C, D Class II, Division 2 Group F, G • UL1598	120W	120V	Class I, Div. 2 (UL844)	W.W.	THT2LA120Z5*W1217
			277V		C.W.	THT2LA120Z5*C1217
			480V			
		140W	120V	Class I, Div. 2 (UL844)	W.W.	THT2LA140Z5*W1217
			277V		C.W.	THT2LA140Z5*C1217
			480V			
	  Ex d IIB+H ₂ T6...T4 Gb Ex tb IIIC T105°C Db   II 2 G Ex d IIB+H ₂ T6 ...T4 Gb; II 2 D Ex tb IIIC T105°C Db  Ex d IIB+H ₂ T6...T4 Gb Ex tD A21 IP64 T105°C	110W	24V	W.W.	THT-EX1217WAPE6A	
			110V	W.W.	THT-EX1217WCPE6A	
			220V	W.W.	THT-EX1217WEPE6A	
			24V	C.W.	THT-EX1217CAPE6A	
			110V	C.W.	THT-EX1217CCPE6A	
			220V	C.W.	THT-EX1217CEPE6A	
		120W	24V	W.W.	THT-EX1217WAPE62	
			110V	W.W.	THT-EX1217WCPE62	
			220V	W.W.	THT-EX1217WEPE62	
			24V	C.W.	THT-EX1217CAPE62	
			110V	C.W.	THT-EX1217CCPE62	
			220V	C.W.	THT-EX1217CEPE62	
 Ex d IIB+H ₂ T5...T4 Gb Ex tb IIIC T100°C Db	110W	24V	W.W.	THT-2LA110d5*W1217		
		110V	C.W.	THT-2LA110d5*C1217		
		220V				
		277V	W.W.	THT-2LA110d4*W1217		
	480V	C.W.	THT-2LA110d4*C1217			
	120W	24V	W.W.	THT-2LA120d5*W1217		
		110V	C.W.	THT-2LA120d5*C1217		
		220V				
277V		W.W.	THT-2LA120d4*W1217			
480V	C.W.	THT-2LA120d4*C1217				

Ordering information: Part number + mounting code

* — 1:110V 2:220V 3:24V
6:120V 9:277V C:480V