

L1203

THT-EX



20W

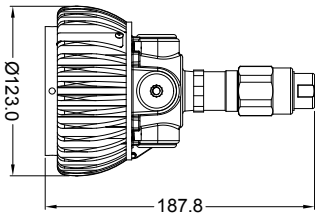


Net Weight: 1.8kg



Oil Tank

Certifications:



Dimension in Millimeters

Applicable Location

- Zone 1
- Zone 2
- Zone 21
- Zone 22
- Class I, Division 2, Groups A, B, C, D
- Class II, Division 2, Groups F and G

Environmental Ratings

- NEMA 6/6P
- IP 67/68

Electrical Ratings

Voltage	24V / 110V / 120V / 220V / 277V / 480V AC
Frequency	50Hz / 60Hz
Wattage (Amps)	20W (0.04A~0.83A)
Operating Temperature	-20°C ~ +40°C
Power Factor	> 0.95

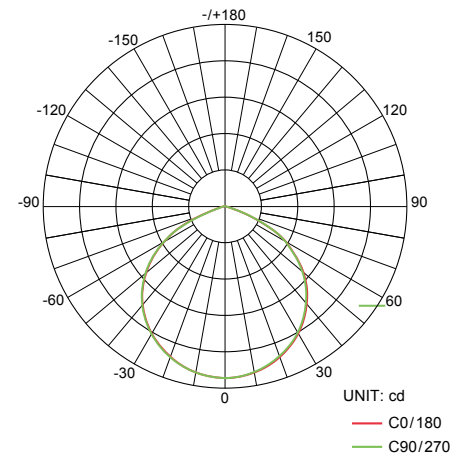
Raw Materials

Housing	Aluminum Alloy
Screws	Stainless Steel
Tempered Glass	IEC Standards impact-resistant > 4 Joule

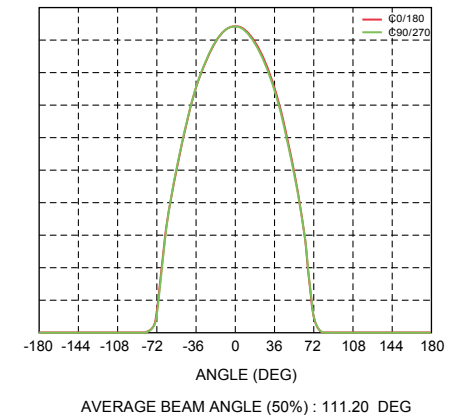
In accordance with special application requirement, THT-EX is able to offer higher specifications on Explosion-proof LED lighting devices, includes

- Lighting can be started at low temperature -65°C
- Lighting can be used at temperature 100°C
- IP rating IP68
- Salt water spray test 72 hours ~ 1000 hours

Polar Luminous Intensity Distribution



Luminous Intensity Distribution Diagram



Optical Information

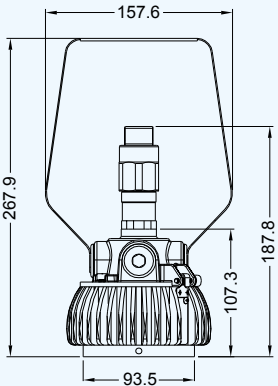
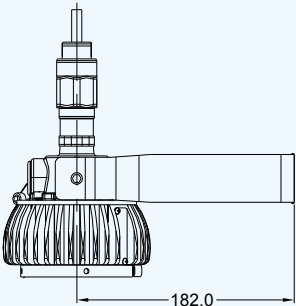
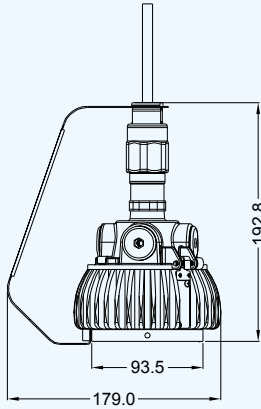
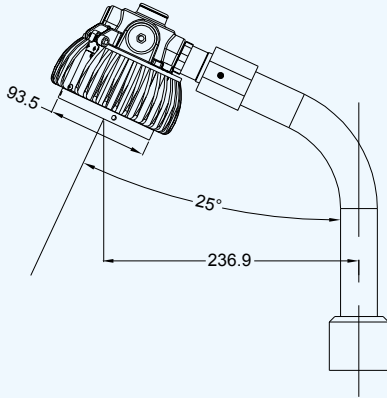
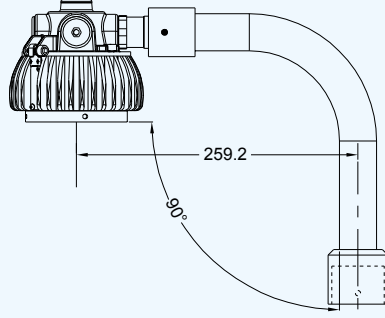
CCT	3000K ± 10% (Warm White) 5000K ± 10% (Cool White)
CRI	> 80 (Warm White) > 70 (Cool White)
Lum / Watt.	≧ 90 (Warm White) ≧ 100 (Cool White)
Beam Angle	≧ 110° (Warm White) ≧ 110° (Cool White)
IES Files	Available upon request

Applicable Area

- Oil Refinery Complex
- Petrochemical Complex
- Painting Facility
- Transporting Natural Gas
- Transporting Liquefied Petroleum Gas
- Offshore Platform (Oil and Natural Gas)

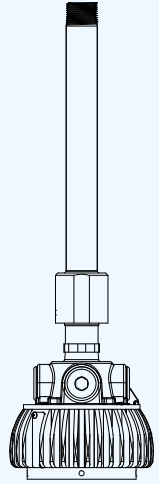
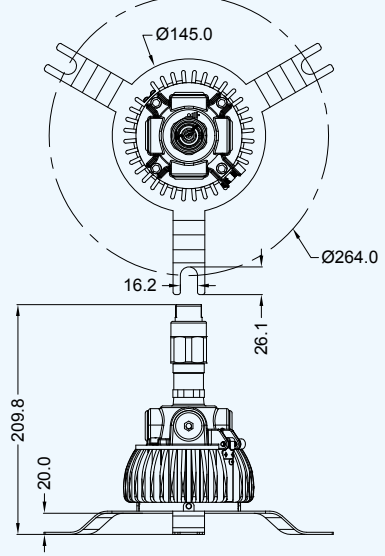
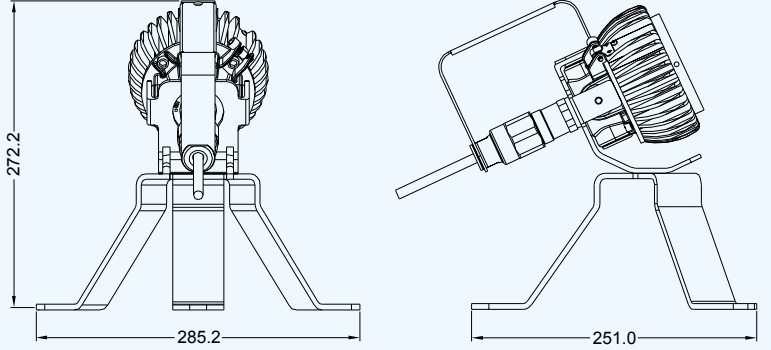
● Standard Product

Dimensions and Mounting (Mounting Code)

Hanging Mount 90° (H90) [Pendant Mount]	Wall Mount 90° (W90)	Mobility type (M)
		
Stanchion 25° (S25) [Bending Electrical Tube]	Stanchion 90° (S90) [Bending Electrical Tube]	
		

● Standard Product









Dimensions and Mounting (Mounting Code)

Straight Electrical Tube (P90)	Oil Tank (O)
	
Tripod (TA)	
<p>Angle adjustable</p> 	

► Please refer to Page 89 for part number

Part Number

• W.W.: 3000K±10% • C.W.: 5000K±10%

Model No.	Certifications	Watt.	Volt.	Color	Part Number	
L1203	 <ul style="list-style-type: none"> NFPA 70 (UL844) Class I, Division 2, Groups A, B, C, D Class II, Division 2, Groups F and G Class III, Division 2 UL1598 	20W Upper & Side Entry	24V	Class I, Div. 2 (UL844)	W.W.	THTH1203ZBBW * B0
			120V		C.W.	THTH1203ZBBC * B0
		20W Upper Entry	24V	Class I, Div. 2 (UL844)	W.W.	THTH1203ZCBW * B0
			120V		C.W.	THTH1203ZCBC * B0
	  <p>Ex d IIB+H₂ T5...T4 Gb Ex tb IIIC T105°C Db</p>   <p>II 2 G Ex d IIB+H₂ T5 ...T4 Gb; II 2 D Ex tb IIIC T105°C Db</p>  <p>Ex d IIB+H₂ T5...T4 Gb DIP A21 T_A 105°C</p>	20W	24V	W.W.	THT-2LA20Wd53W1203	
			110V	W.W.	THT-2LA20Wd51W1203	
			220V	W.W.	THT-2LA20Wd52W1203	
			24V	C.W.	THT-2LA20Wd43C1203	
			110V	C.W.	THT-2LA20Wd41C1203	
			220V	C.W.	THT-2LA20Wd42C1203	
	 <p>Ex d IIB+H₂ T5 Gb Ex tD IIIC T135°C Db</p>	20W	24V	W.W.	THT-2LA20Wd53W1203	
			110V	W.W.	THT-2LA20Wd51W1203	
220V			W.W.	THT-2LA20Wd52W1203		
24V			C.W.	THT-2LA20Wd53C1203		
110V			C.W.	THT-2LA20Wd51C1203		
220V			C.W.	THT-2LA20Wd52C1203		
L1102S	 <p>Ex d IIC T5 Gb Ex tb IIIC T100°C Db</p>	50W (DOB)	220V	W.W.	THT-2KA50Wd5*W1102	
			C.W.	THT-2KA50Wd5*C1102		
		95W (DOB)	220V	W.W.	THT-2KA95Wd5*W1102	
			C.W.	THT-2KA95Wd5*C1102		

Ordering information: Part number + mounting code

* — 2:220V 3:24V (only L1203)
6:120V 9:277V C:480V